
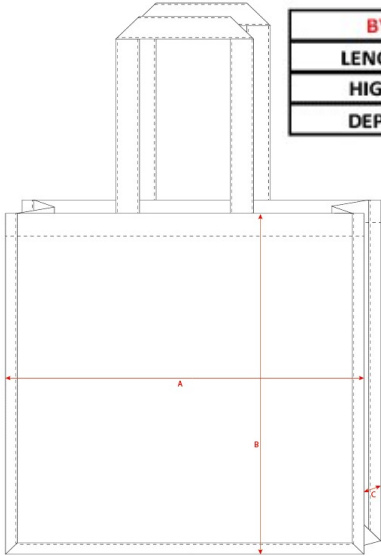
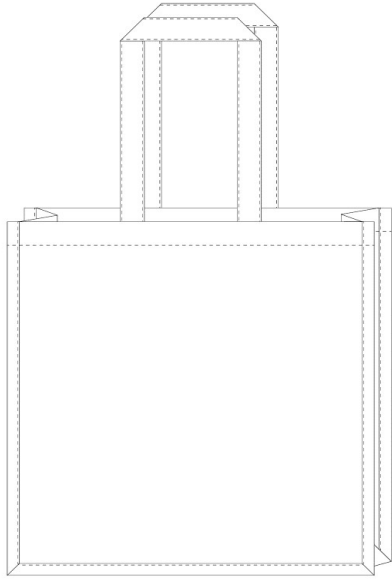

	Masterdata-Sheet			Date: 28.01.2022			
	style No.:	BY202	grammage:	-		packing unit:	-
	sizes:	onesize	country of origin:	Pakistan		packing measurement:	59/39/39 cm
	season:	-	HS-code:	-		weight per piece:	-
					fit definition:	-	

<p>measurements:</p>  <table border="1" data-bbox="443 505 781 630"> <tr> <td>BY202</td> <td>ONESIZE</td> </tr> <tr> <td>LENGTH (A)</td> <td>45,5</td> </tr> <tr> <td>HIGHT (B)</td> <td>45</td> </tr> <tr> <td>DEPTH (C)</td> <td>11</td> </tr> </table>	BY202	ONESIZE	LENGTH (A)	45,5	HIGHT (B)	45	DEPTH (C)	11	<p>sketch:</p> 	<p>carelabel:</p>  <p>iron on reverse reshape during wet wash before wearing</p> <p>material composition:</p> <ul style="list-style-type: none"> • 100% cotton <p>details:</p>
BY202	ONESIZE									
LENGTH (A)	45,5									
HIGHT (B)	45									
DEPTH (C)	11									

<p>product description:</p> <p>A clear and very trendy tote bag made of sturdy canvas. The tote bag is suitable for both regular shopping and extended shopping trips, since it offers plenty of storage space. The plain-colored fabric provides simple elegance, which can be enhanced further via screen printing, flock printing or embroidery.</p>
<p>special features:</p> <p>-</p>