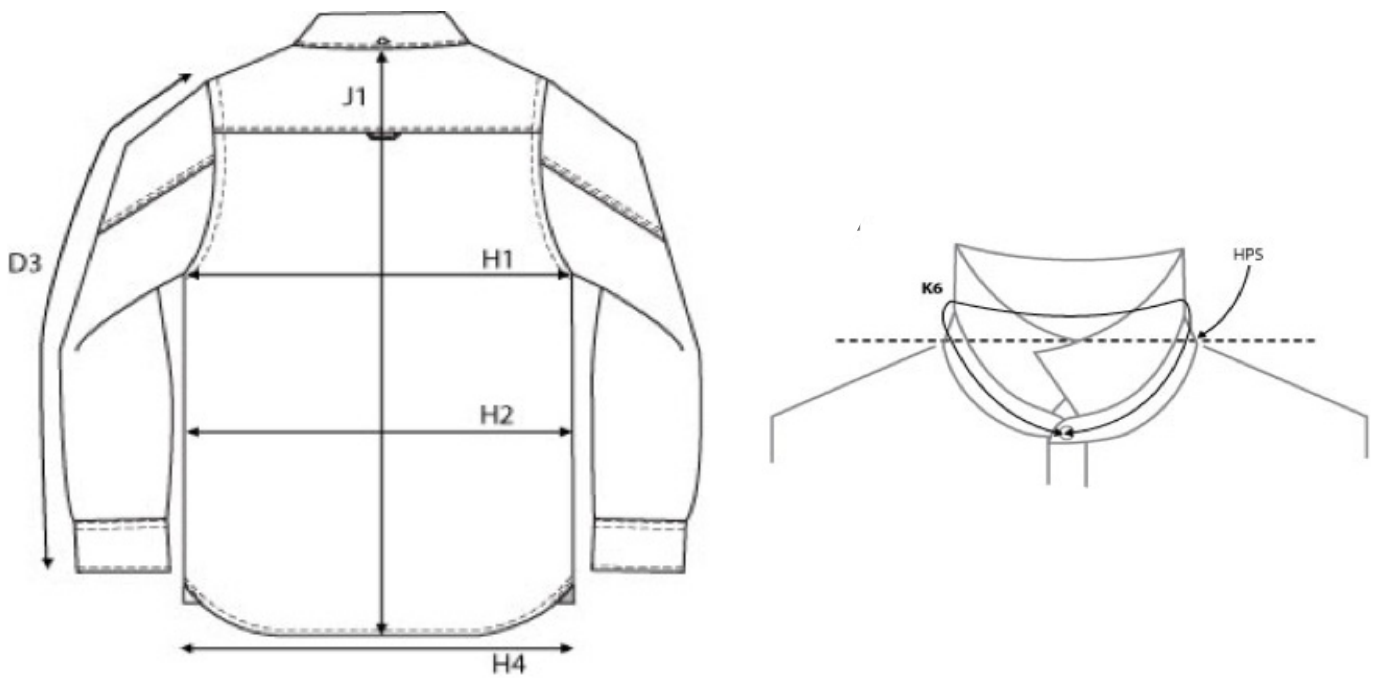


SIZE AND FIT: ROCHESTER SLIM FIT



ROCHESTER SLIM FIT MENS ONLY

BASE SIZE: M

Measurement (in cm)	Diagram	S	M	L	XL	XXL	3XL	4XL
COLLAR - neckline CF to CF	K6	40,5	42	43,5	45	46,5	48	49,5
SLEEVE LENGTH from shoulderseam	D3	65,5	67	68,5	70,5	72,5	74,5	74,5
1/2 CHEST WIDTH at armhole	H1	51,5	53,5	55,5	58,5	61,5	64,5	67,5
1/2 WAIST	H2	49	51	53	56	59	62	65
1/2 BOTTOM WIDTH	H4	51,5	53,5	55,5	58,5	61,5	64,5	67,5
FULL LENGTH at centre back	J1	76	78	80	82	84	86	86