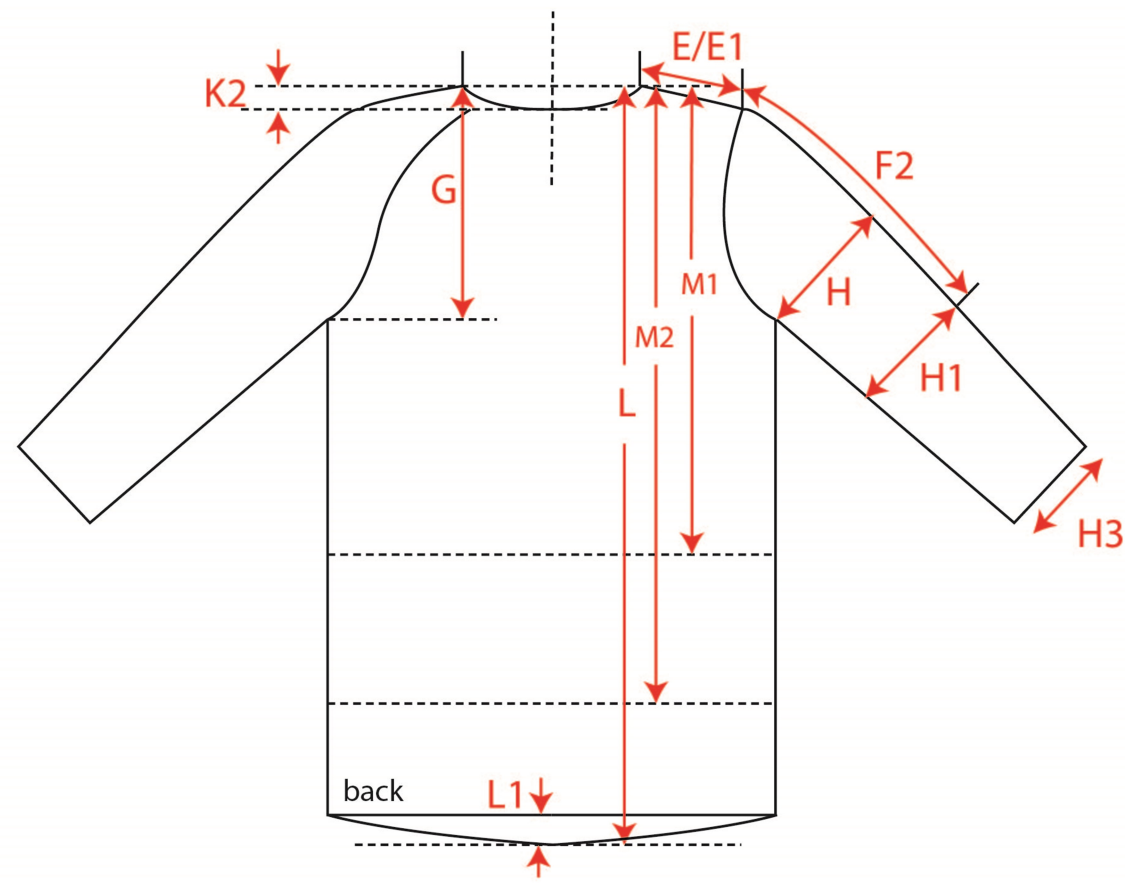
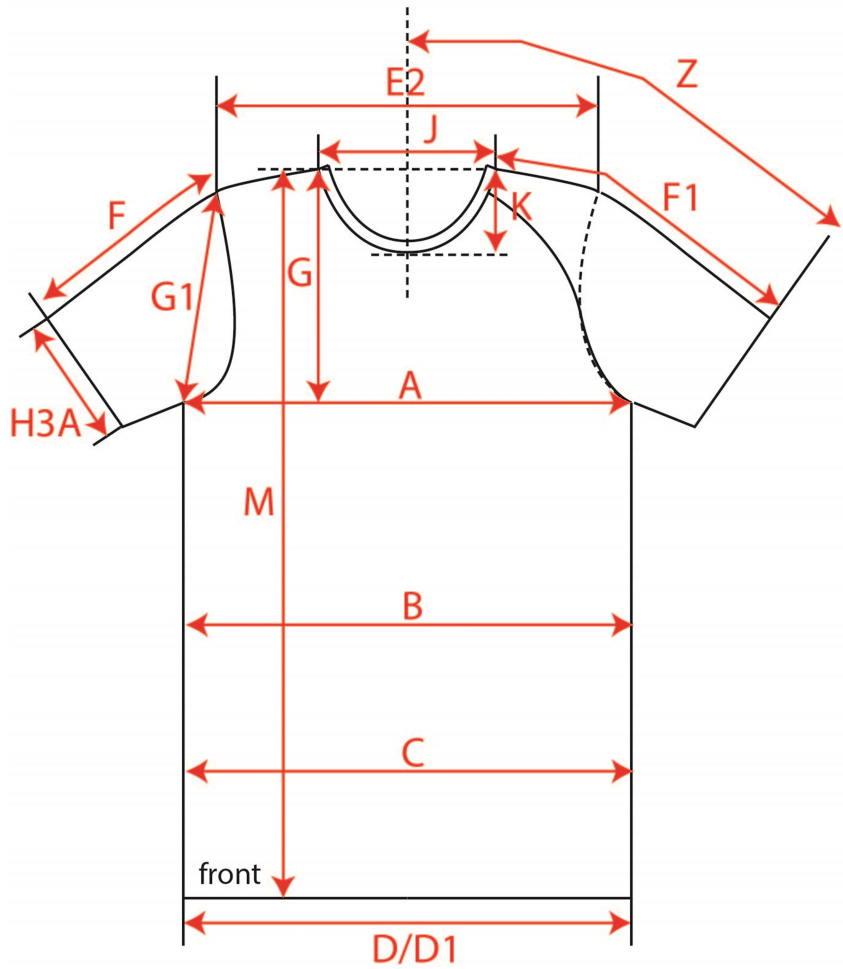


Measurement Sketch



ORDER	SEASON	CLIENT	BRAND
	SS22	n/a	Build your Brand
STYLE CODE	STYLE NAME	GENDER	SUPPLIER
BY178	Turtle Neck LS	Male	70003



Style Measurement View for Client



ORDER	SEASON	CLIENT	BRAND
	SS22	n/a	Build your Brand
STYLE CODE	STYLE NAME	GENDER	SUPPLIER
BY178	Turtle Neck LS	Male	70003

Basic Measurement Chart

Base Size

M

-	Measurements (values)	S	M	L	XL	XXL	3XL	4XL	5XL	Tol. +/-	Comment
M	front length from HSP	74,0	76,0	78,0	80,0	82,0	83,0	84,0	85,0		
A	1/2 chest width	51,0	54,0	57,0	60,0	63,0	67,5	72,0	76,5		
D	1/2 hem width	51,0	54,0	57,0	60,0	63,0	67,5	72,0	76,5		
F	sleeve length from shoulder (set in)	65,6	66,0	66,4	66,8	67,2	67,6	68,0	68,4		